



Tessera Ring - Large

The 2,500-year old art of glass mosaic tiling is brilliantly brought to light in the modern-styled Tessera Ring Chandelier. Choose from five tile motifs in artisan cast crystal glass and several finishes. Tessera fixtures are illuminated with 93 CRI integrated LED and are available in 2700K or 3000K color temperature.

Finishes



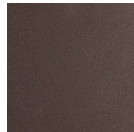
Burnished
Bronze (BB)



Beige Silver
(BS)



Classic
Silver (CS)



Flat Bronze
(FB)



Gilded Brass
(GB)



Graphite
(GP)



Matte Black
(MB)



Novel Brass
(NB)

Glass Options



Tetro Cast
Glass (TE)



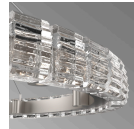
Pavé Cast
Glass (TP)



Facet Cast
Glass (TF)



Orb Cast
Glass (TO)



Wave Cast
Glass (TW)

Product Notes - PLEASE READ:

- All Hammerton fixtures are handcrafted by artisans. Subtle imperfections reflect the mark of the maker and should be expected.
- This product may incorporate both steel and aluminum material. Transparent finishes may vary between steel and aluminum components.
- Products incorporating artisan blown and cast glass may create dramatic patterns of light and shadow on surrounding surfaces. While this is often desirable, shadowing can be minimized by adding recessed ceiling light to the installation area.

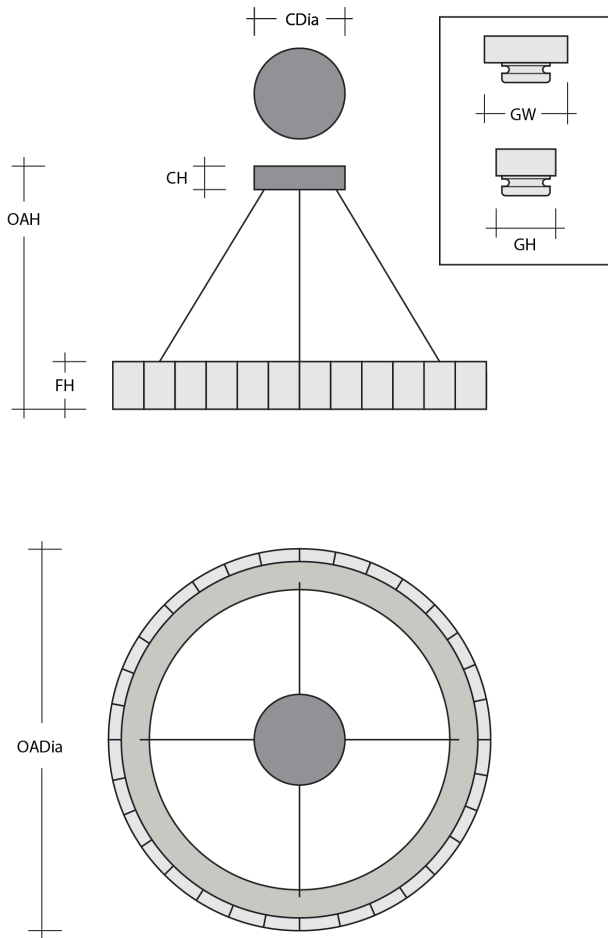
General Notes:

- Visit studio.hammerton.com to read our complete warranty.
- All dimensions are in inches unless otherwise noted. Dimensions may vary up to 7/8".

Revision date: 2026-02-16

Scan for Product &
Install Info





Tessera Ring - Large

Product Dimensions *Dimensions may vary up to 7/8"*

Overall Height	OAH	26.5 – 120 in
Overall Diameter	OADia	47.2 – 49.6 in
Canopy Height	CH	2.1 in
Canopy Diameter	CDia	13 in
Fixture Height	FH	3.5 – 4 in
Notes		Fixture and glass dimensions will vary based on glass option selection

Glass Dimensions

Glass Qty		48
Glass Height	GH	2.5 – 2.7 in
Glass Width	GW	3.5 – 4.7 in

Electrical

Bulb/Lamping Qty		9
Bulb/Lamping Type		LED
Wattage		94 watts
Voltage		120 volts
Total Source Lumens		6704 lumens
Source Lumens (Down)		3150 lumens
Dimming Type		TRIAC/ELV
Correlated Color Temp: CCT		2700K or 3000K
Color Rendering Index: CRI		93+
Certification		ETL

Installation & Mounting

Weight: Lbs		125 – 173 lbs
Mounting Type		Structural
Suspension Type		Cable
Location		Indoor/Dry

Other Information

Warranty		See Website
----------	--	-------------

Project Notes

Name:

Location:

Quantity:

Finish Color:

Glass Color:

Notes: