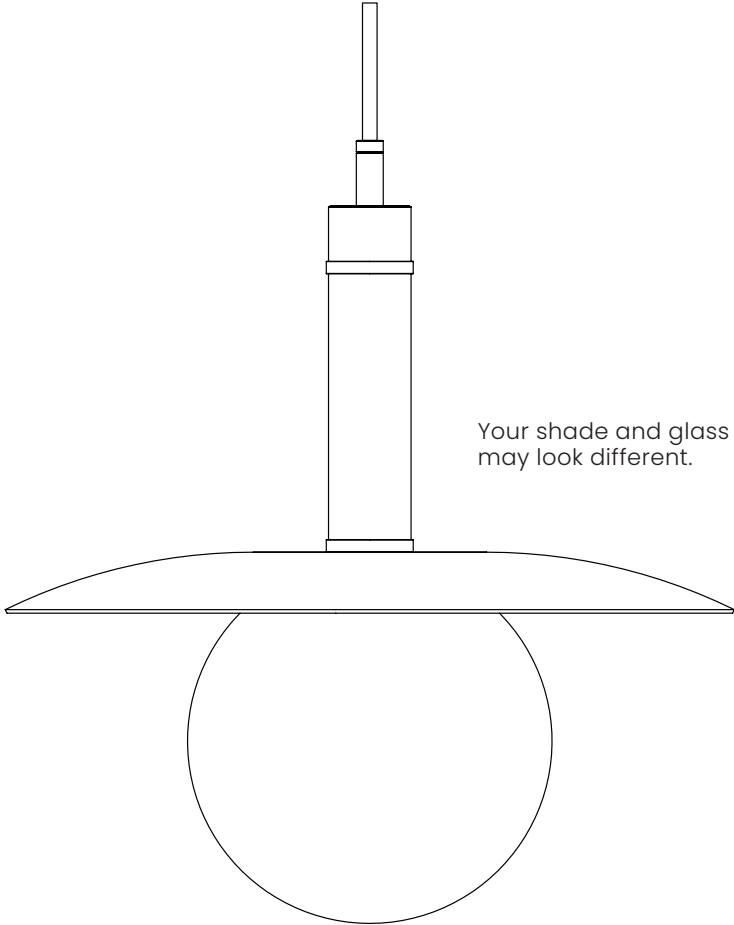




## Socket + Column + Shade + Glass

VIRO-0029-XXXXXXXX

Assembly Instructions



Your shade and glass  
may look different.

### Questions?

**Email:** [support@virolighting.com](mailto:support@virolighting.com)

**Phone:** 385-799-6966



THIS PRODUCT MUST BE INSTALLED IN ACCORDANCE WITH THE APPLICABLE INSTALLATION CODE BY A PERSON FAMILIAR WITH THE CONSTRUCTION AND OPERATION OF THE PRODUCT AND THE HAZARDS INVOLVED

## Included Tools

Mini flathead screwdriver  
Allen wrench

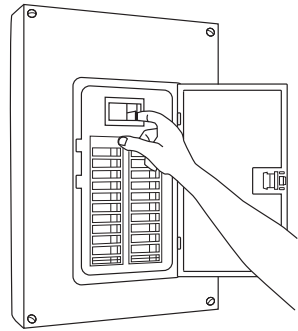
## Tools Needed

Phillips head screwdriver  
Wire stripper  
Electrical tape

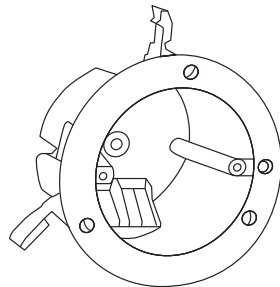
1. **Do not** cut the cord until you complete the assembly of your fixture.



2. Before installing, turn off power at the circuit breaker or fuse box. Failure to do so may result in serious injury or electrical shock.

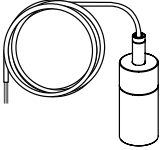

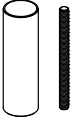

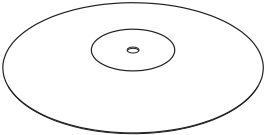


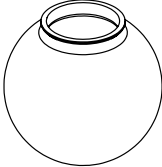
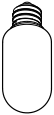
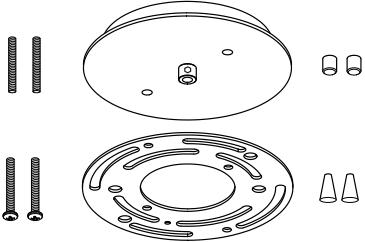


3. A 4" round junction box or smaller, rated for ceiling pendants is required for install (not included).



# Parts List - Names and Quantities

VIRO-0029-XXXXXXXXX

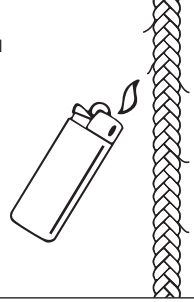
	<p><b>1 Socket + Cord</b> VIRO-PEN-0001-XXX</p>
	<p><b>1 Check Ring B</b> VIRO-COM-0008-XXX</p>
	<p><b>1 Column + 1 Threaded Tube</b> VIRO-CLM-XXXX-XXX</p>
	<p><b>1 Check Ring A</b> VIRO-COM-0007-XXX</p>
	<p><b>1 Shade</b> <b>Your shade may look different.</b> VIRO-SHD-XXXX-XXX</p>
	<p><b>1 Glass Adapter Cap</b> VIRO-COM-0010-XXX</p>
	<p><b>1 Glass Adapter + 3 Set Screws</b> VIRO-COM-0009-BLK</p>
	<p><b>1 Glass</b> <b>Your glass may look different.</b> VIRO-GLS-XXXX-XXX</p>
	<p><b>1 Bulb</b> <b>Your bulb may look different.</b></p>
	<p><b>1 Canopy +</b> <b>2 Canopy Mount Threaded Rods</b> <b>1 Universal Mount</b> <b>2 Locking Nuts</b> <b>2 8-32 Junction Box Screws</b> <b>2 Wire Nuts</b> VIRO-CAN-0001-XXX</p>

# Step 1: Disassemble the Socket

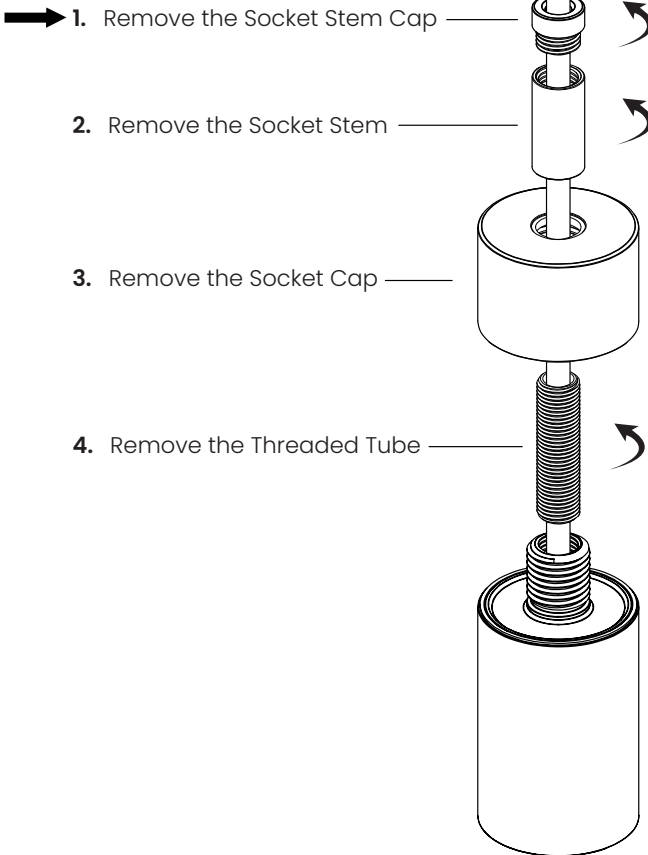
Hand unscrew each part in the order shown. Slide them off the cord **one at a time** and place them to the side for reassembly.

**ATTENTION:** **slowly** slide parts off and on the cord so you don't fray the cord. Any fraying that does occur can be removed by gently brushing the cord with a lighter.

**ATTENTION:** If untwisting the bottom portion of the socket, **avoid applying excessive force**, as it may damage the wires.



## Start here:

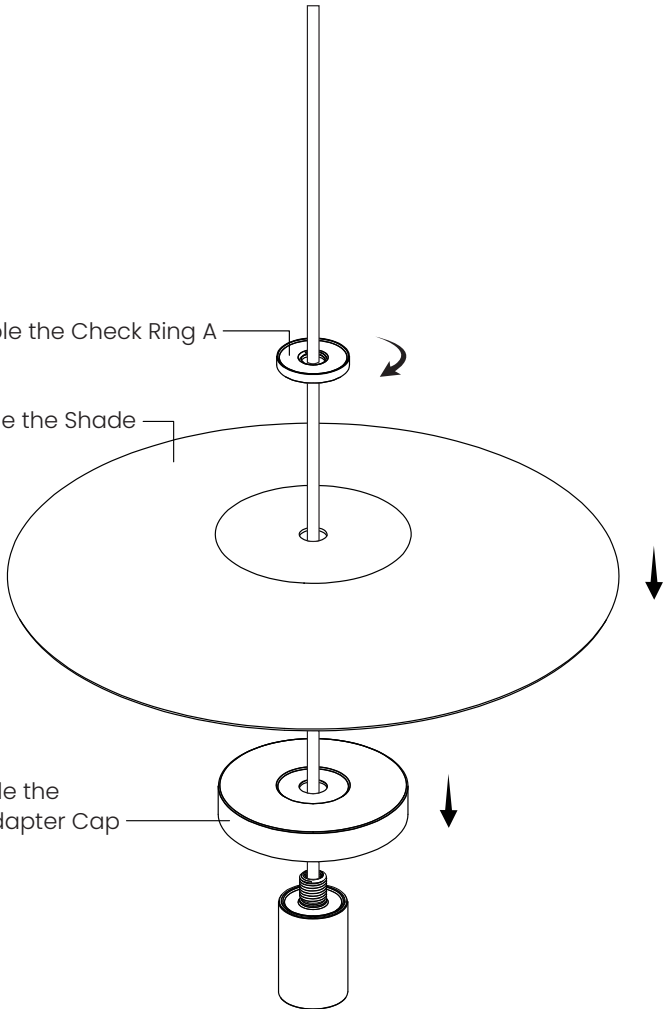


# Step 2: Assemble the Fixture

Assemble the following parts, one at a time:

3. Assemble the Check Ring A

2. Assemble the Shade



**Start here:**

➔ 1. Assemble the Glass Adapter Cap

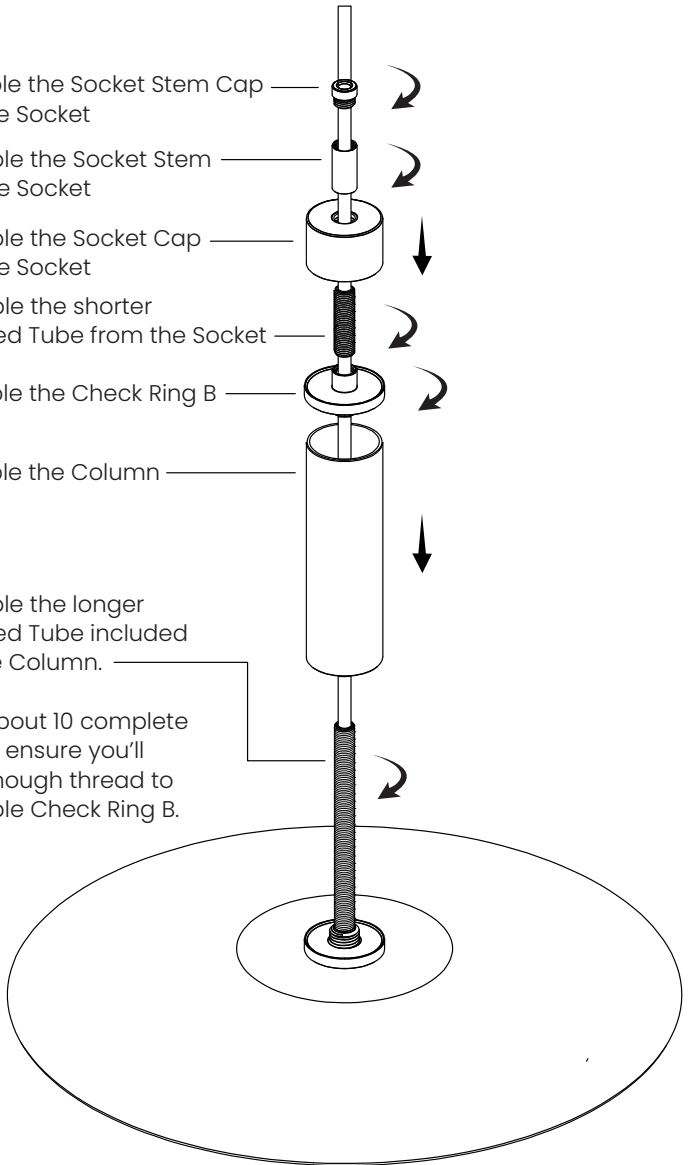
Assemble the following parts, one at a time:

7. Assemble the Socket Stem Cap from the Socket
6. Assemble the Socket Stem from the Socket
5. Assemble the Socket Cap from the Socket
4. Assemble the shorter Threaded Tube from the Socket
3. Assemble the Check Ring B
2. Assemble the Column

### Start here:

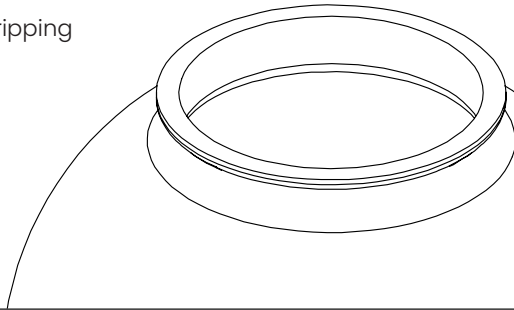
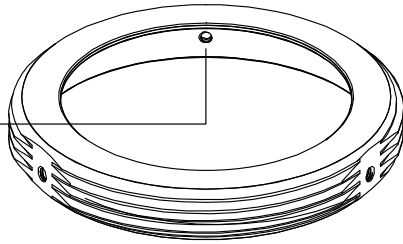
- ➔ 1. Assemble the longer Threaded Tube included with the Column.

Make about 10 complete turns to ensure you'll have enough thread to assemble Check Ring B.

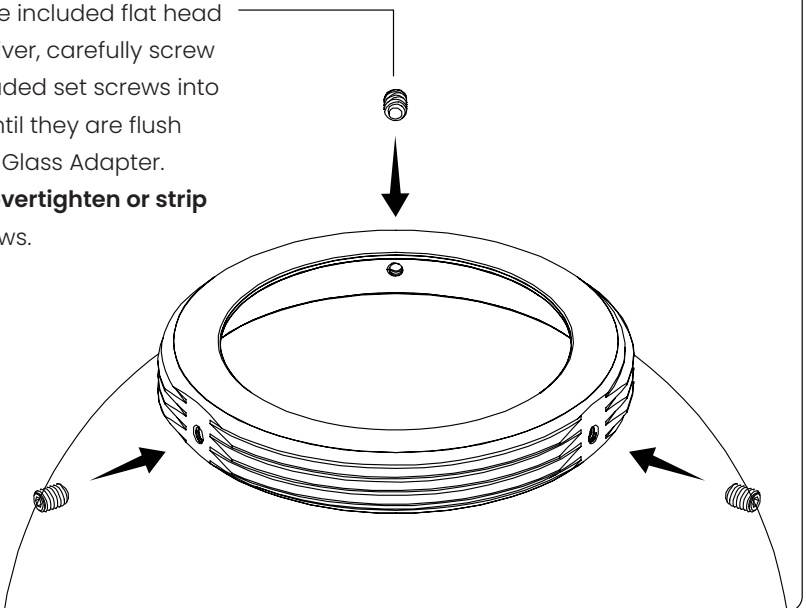


## Attach the Glass Adapter to the top of the Glass.

1. Before placing the Glass Adapter on the glass, **remove any obstructions or residue** surrounding the inside of the three drill holes. This will prevent you from stripping the set screws.



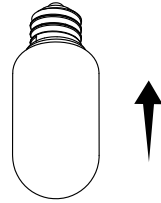
2. Using the included flat head screwdriver, carefully screw the included set screws into place until they are flush with the Glass Adapter. **Do not overtighten or strip** the screws.



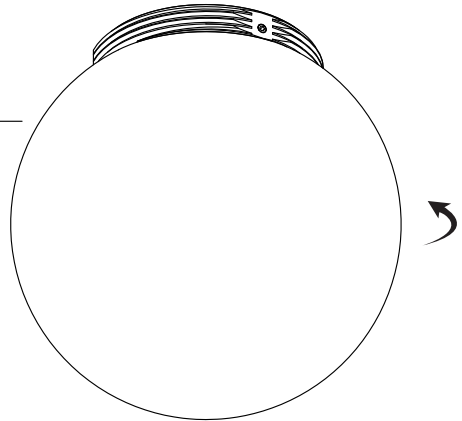
# Step 5: Assemble the Bulb and Glass

**Install the Bulb and securely attach the Glass to the Fixture.  
Be sure not to overtighten the Glass.**

1. Assemble the Bulb



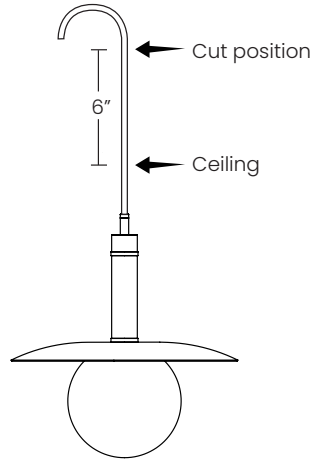
2. Assemble the Glass



If you plan to use the entire length of the cord, then you may skip this step.

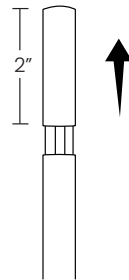
## 1. Cut the Cord

Determine the desired length of the Cord by holding the Cord up to the ceiling. The cut mark should be about 6" above that length.



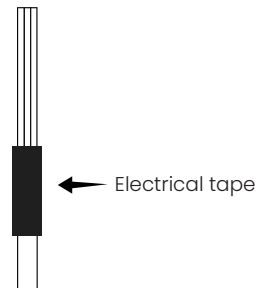
## 2. Remove Outer Housing

Moving about 2" down from the new end of the cord, use the wire stripper to gently score into and around the Fabric Cord. Do this a few times until you can twist and pull away the outer housing to expose the wires. Be careful not to cut into any of the wires.



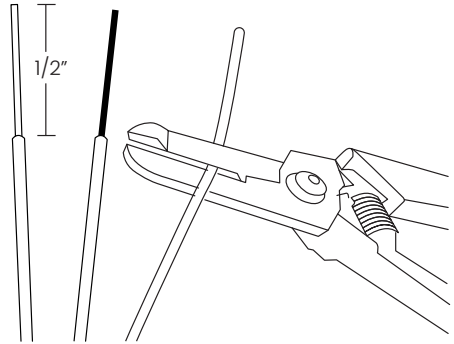
## 3. Tape the Cord

Use a thin strip of electrical tape to tape the fabric to the wires to prevent the fabric from sliding down. (If the tape is too thick you will not be able to slide the cord through the canopy).



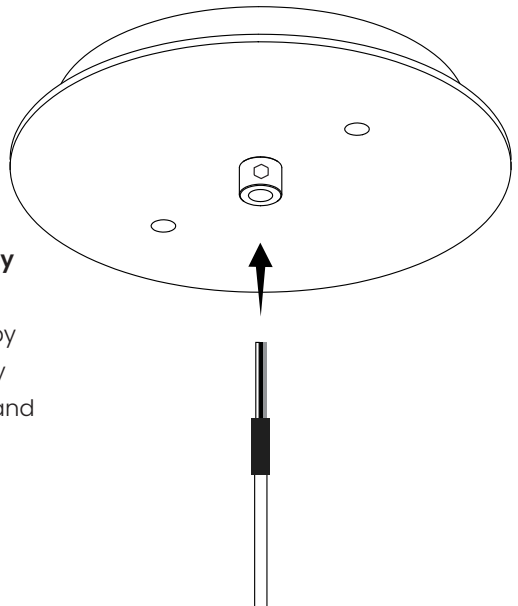
## 1. Strip the Wiring (if necessary)

If you cut the Cord on the previous page, expose the wiring by removing about 1/2" of insulation on all three wires. Using a wire stripper, clamp down on each wire and pull off the insulation.



## 2. Slide the Cord into the Canopy

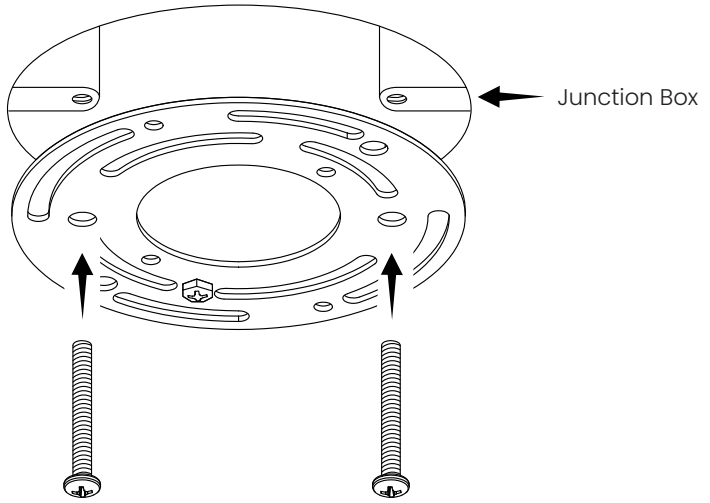
Before installing the Canopy, insert the Cord into the Canopy and lock it tightly into place by using the included set screw and allen wrench.



# Step 8: Prepare the Canopy

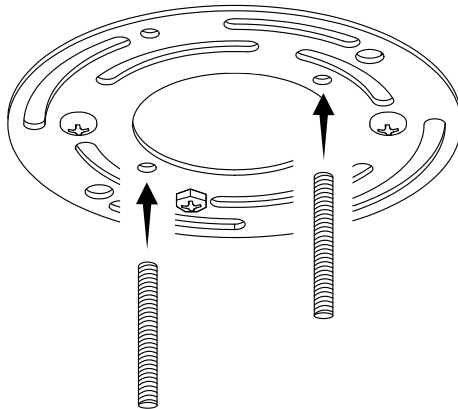
## 1. Install the Universal Mount (Included with the Canopy)

Using the included screws, attach the Universal Mount onto the ceiling junction box.



## 2. Install the Canopy Mounting Rods (Included with the Canopy)

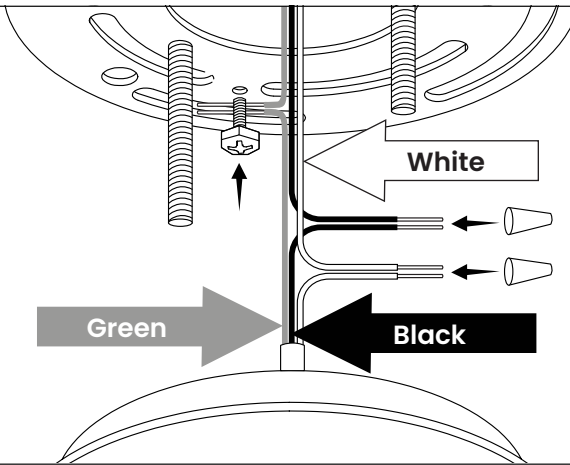
Screw the Threaded Rods into the Universal Mount.



**ATTENTION:** Another set of hands to help hold the fixture during installation is strongly recommended. It may also help to remove the Glass and Bulb to make the fixture lighter.

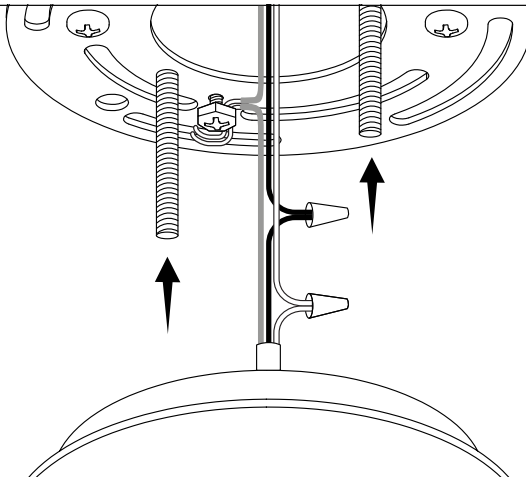
## 1. Connect and Cap the Wiring

Match the ground wire (green) to the ground screw. Match the power wire (black) to the corresponding power wire and cap the connection. Match the neutral wire (white) to the corresponding neutral wire and cap the connection.

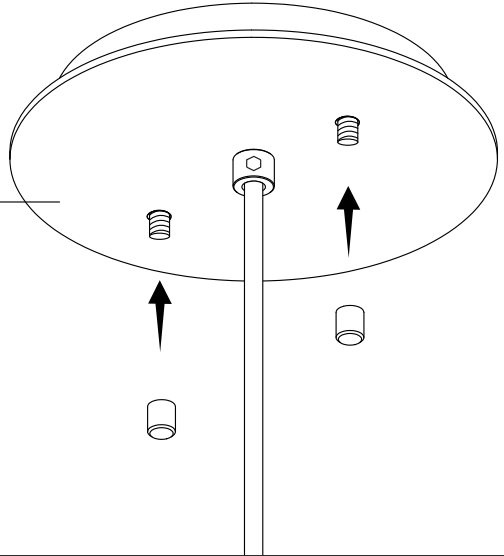


## 2. Align the Canopy

Slide the Canopy into place by aligning the Canopy onto the Mounting Rods.



1. Screw the Locking Nuts onto the Canopy Mounting Rods to lock the Canopy into place.



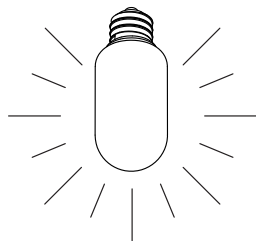
## 2. Download the Viro app

### If you purchased a Smart Bulb:

Utilize all the capabilities of your Smart Bulb by connecting it to our Viro app. To do so, download the app and follow the prompts.



**When you first turn on your fixture,** your Smart Bulb will begin to flash. The flashing indicates that the Bulb is ready to pair with the app. Once you sync the Bulb with the app, the flashing will stop.



## Register your fixture

Get access to faster support and important updates. It only takes a minute.



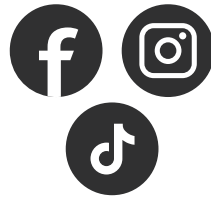
## Leave a review

Help us improve the product and install experience.



## Share your finished installation

We'd love to see how it looks in your home! Use hashtag #virolighting and tag us.



**Thank you for your purchase!**



[www.virolighting.com](http://www.virolighting.com)